

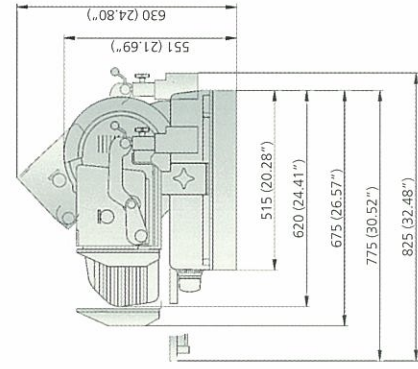
| | |
|-----------------------------|------------|
| Protection type | IP 33 |
| Current type | 1-phase AC |
| Voltage | 220-240 V |
| Frequency | 50-60 Hz |
| Nominal current consumption | 2.6 A |
| | 100-120 V |
| | 60 Hz |
| | 5.0 A |

| | VS 12 D Ee | VS 12 D-V Ee |
|-----------------------------------|---|---|
| Outer dimensions | 620 x 795 x 551 mm / 24.4 x 31.3 x 21.69" | 620 x 970 x 551 mm / 24.4" x 38.2" x 21.69" |
| Required space | 515 x 430 mm / 20.3" x 16.9" | 515 x 430 mm / 20.3" x 16.9" |
| Work area | 825 x 980 / 32.5" x 38.6" | 800 x 1000 mm / 31.5" x 39.4" |
| Blade diameter | 330 mm / 13" | 330 mm / 13" |
| Blade speed | 208 U/min (208 rpm) | 208 U/min (208 rpm) |
| Number of carriage strokes | approx. 30 - 75 strokes/min. | approx. 30 - 75 strokes/min. |
| Max. product size | | |
| with depositing arm, min. | round Ø, 50 mm / 2" | round Ø, 50 mm / 2" |
| | rectangular, 50 x 50 mm / 2 x 2" | rectangular, 50 x 50 mm / 2 x 2" |
| with depositing arm, max. | round Ø, 180 mm / 7.1" | round Ø, 180 mm / 7.1" |
| | rectangular, 240 x 175 mm / 9.4 x 6.9" | rectangular, 240 x 175 mm / 9.4 x 6.9" |
| without depositing arm, max. | round Ø, 225 mm / 8.9" | round Ø, 225 mm / 8.9" |
| | rectangular, 260 x 175 mm / 10.2 x 6.9" | rectangular, 260 x 175 mm / 10.2 x 6.9" |

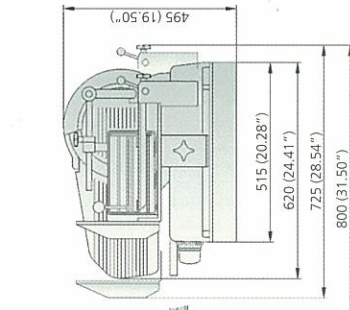
| | |
|-----------------------------------|--|
| Setting of slice thickness | 0,5 - 8 mm / 0.02 - 0.32" |
| with depositing arm, continuous | without depositing arm, continuous |
| | 0 - 24 mm / 0 - 0.95" |
| | 0 - 3 mm / 0 - 0.12" |
| Weight | approx. 75 kg / 165.3 lbs |
| Depositing table | 254 x 346 mm / 10 x 13.6" |
| Table displacement | 160 mm / 6.3" |
| Paper size | 250 x 375 mm / 9.8 x 14.8" |
| Film size | 240 x 360 mm / 9.4 x 14.2" |
| Round platter | 280 mm / 11" |
| Packaging data | Box (L x B x H) 500 x 820 x 750 mm / 19.7 x 32.3 x 29.6" |
| Total weight | approx. 87 kg / 191.8 lbs |

Ceraclean surface finish

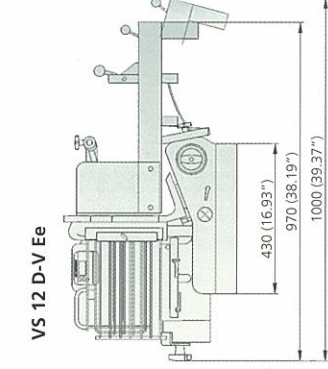
Ceraclean blade, cheese blade, bread blade, round platter, bench stand, shaving, deflector. Further information on request.



VS 12 D Ee



VS 12 D-V Ee



Members of the Bizerba Group

| | | | | |
|--|---|---|--|--|
| Bizerba GmbH & Co. KG Wilhelm-Kraut-Straße 65 72336 Ballingen Germany Tel. +49 7433 12-0 Fax +49 7433 12-2696 marketing@bizerba.com www.bizerba.com | Bizerba UK Limited 2-4 Erica Road Stacey Bushes Milton Keynes Buckinghamshire MK12 6HS U.K. Tel. +44 1908 682740 Fax +44 1908 682777 sales@bizerba.co.uk | Bizerba USA Inc. 1804 Fashion Court Joppa, MD 21085 USA Tel. Office +1 732 565-6000 Tel. Service +1 732 565-6001 Fax +1 732 819-0429 us.info@bizerba.com www.bizerbausa.com | Bizerba Canada Inc. 2810 Argenta Road #9 Mississauga, Ontario L5N 8L2 Canada Tel. +1 905 816-0498 Fax +1 905 816-0497 ca.info@bizerba.com www.bizerba.ca | Bizerba (Shanghai) Weigh Tech & Systems Co.Ltd. D-3, Qianpu Road, Shuhui Real Est.Park East New Area of Songjiang, Ind.Zone 201611 Shanghai China Tel. +86 (21) 67 60 09 99 Fax +86 (21) 67 60 09 98 marketing.china@bizerba.cn www.bizerba.cn |
|--|---|---|--|--|



Ceraclean® is a registered trademark of Bizerba GmbH & Co. KG in at least one EU country and in the USA. Deviations in color due to the photographic material or printing, printing errors, and changes to construction and design are reserved. III/133E © 1st edition. Subject to change without notice. 0413-20

... closer to your business

Thought through to the smallest detail ...

... Fully-automatic slicers VS 12 D Ee / VS 12 D-V Ee:

Efficient – reliable – highly flexible



VS 12 D Ee

The VS 12 D Ee is particularly flexible: it can be used as a semi-automatic or fully-automatic slicer. The VS 12 D-V Ee is a fully-automatic slicer. It is provided

with an extended carriage that allows slicing products with a length of up to 380 mm without reclamping. In addition, it is equipped with a special remnant holder with gripper prongs for greater stability of the product.

Safe and very easy handling

- Modern and ergonomic design with perfect all-round protection
- Direct selection keys, automatic slice depositing and lowered carriage design for ergonomic and easy operability
- Smooth-running carriage thanks to carriage guide bearings located securely inside the motor housing
- Slip grooves in the carriage rear wall ensure smooth and easy gliding of the product
- Improved hygiene thanks to easily removable sharpener
- Highest energy efficiency and low cost of ownership due to Emotion technology

Quality and long service life

- Quiet, maintenance-free blade drive
- Very decorative presentation - choose freely from very different layout options (stacking, double-stacking, shingling lengthwise/crosswise and radial layout)



VS 12 D-V Ee

- The optional round platter allows radial layout even of rectangular products
- The carriage speed can be set gradually from 30 to 75 strokes/min. so that even very delicate products can be sliced
- Three different carriage stroke lengths provide for a higher output

Cleaning and hygiene

- Slices laid out without manual handling
- Fast disassembly of all removable parts
- Easy access to all parts
- Membrane keyboard protected against dripping water
- Swivel-mounted deflector with smooth edges to avoid dirt buildup
- Compact design with closed installation frame
- Setting of slice thickness, to fine setting option
- Comfortable to clean thanks to optional Ceraclean finish